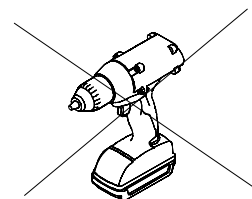
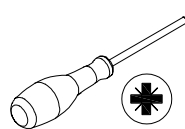
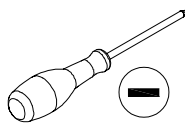
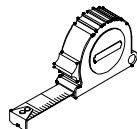
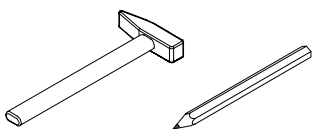
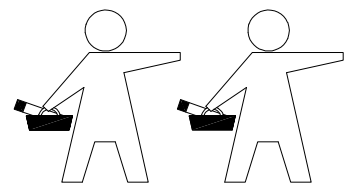
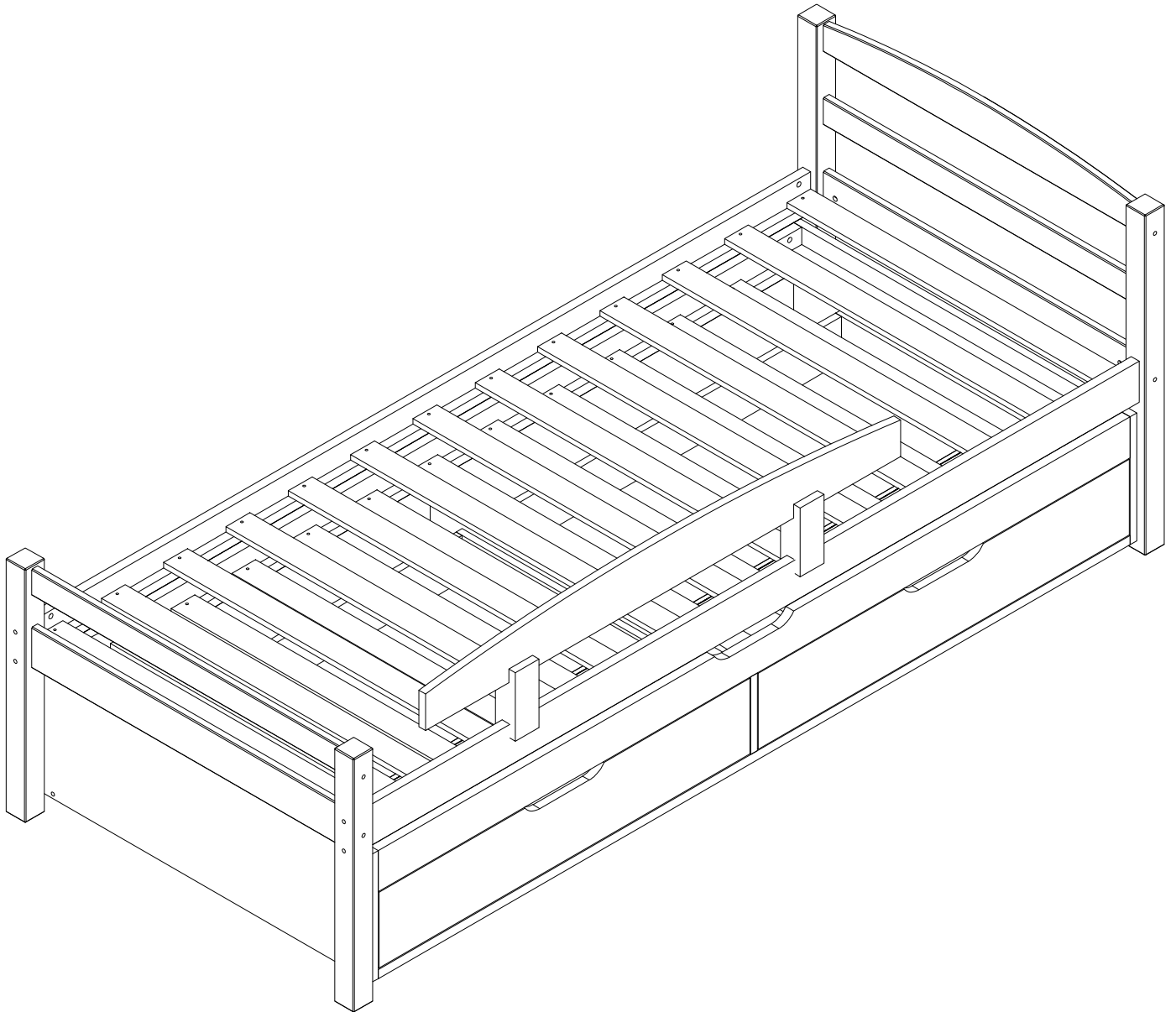
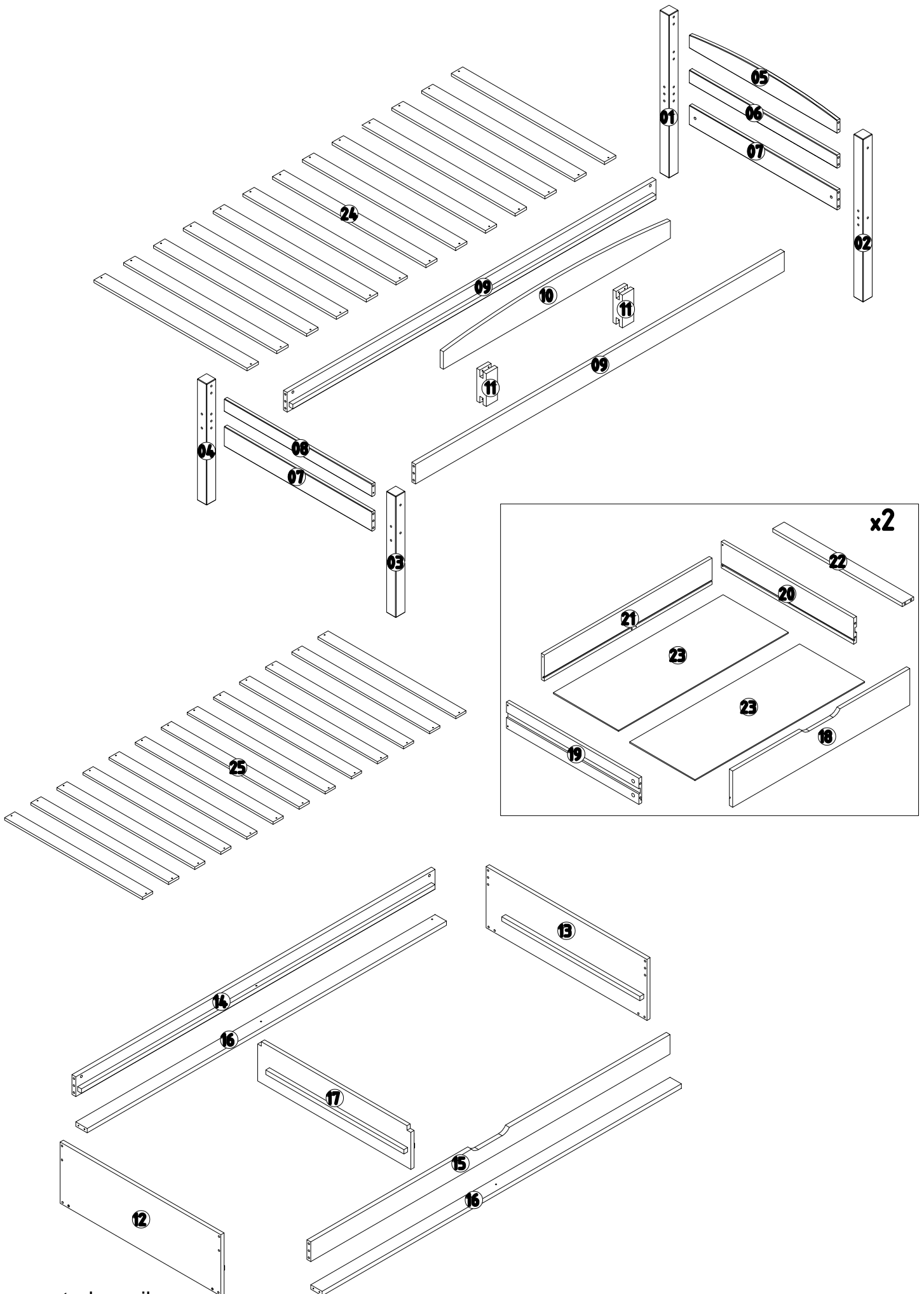


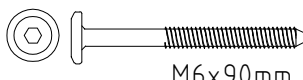



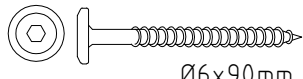
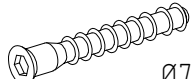

Assembly Instruction



Parts List

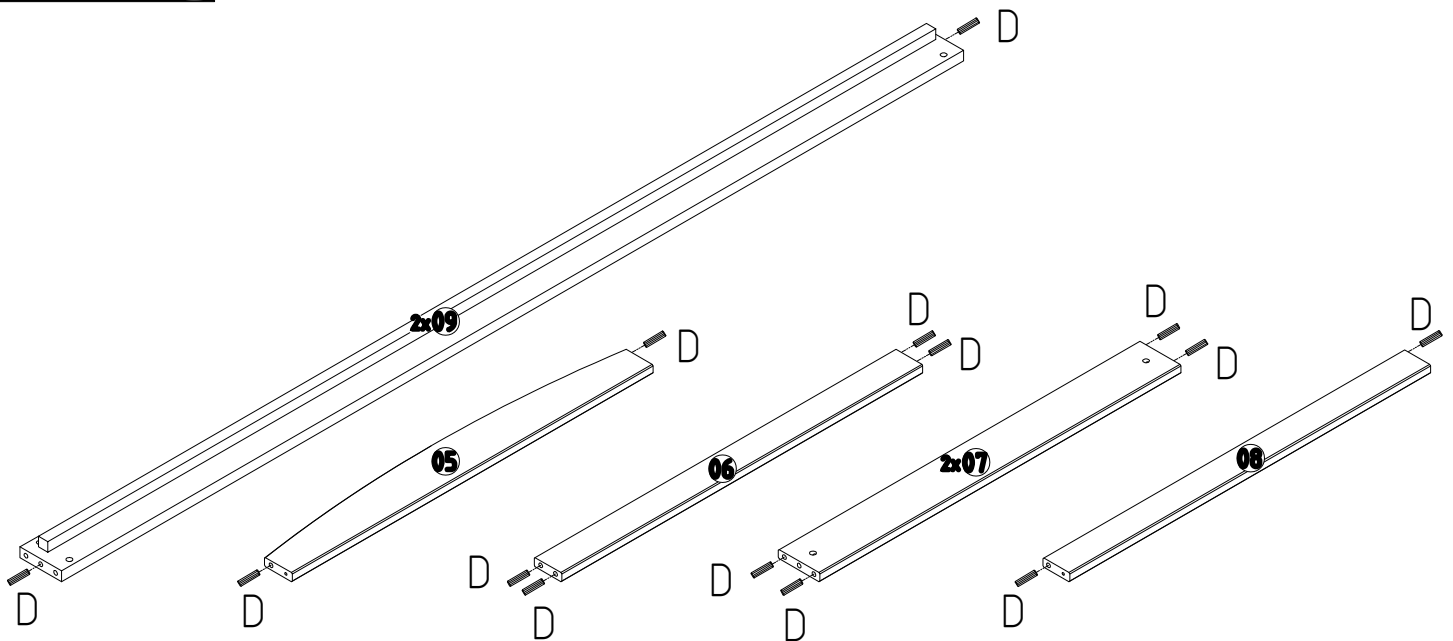



Hardware List

A	 M6x90mm	12
B	 M6x60mm	08
C	 M6x13mm	20
D	 Ø8x30mm	30
E	 Ø6x90mm	04
F	 Ø7x50mm	10
G	 Ø7x34mm	12

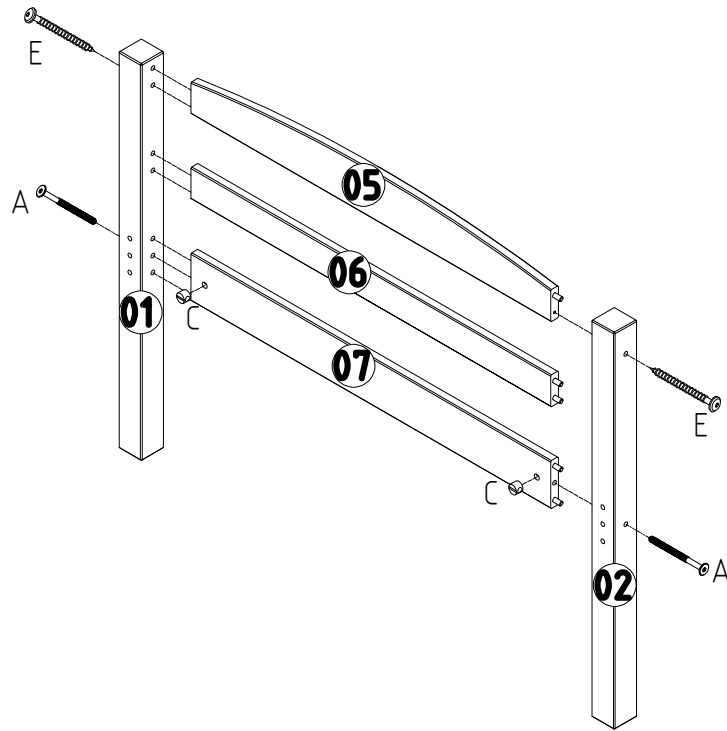
H	 Ø15x12mm	12
J	 797mm	02
K	 D26mm	06
L	 Ø3.5x16mm	12
M	 Ø4x30mm	44
N	 Ø4	01




Step 1



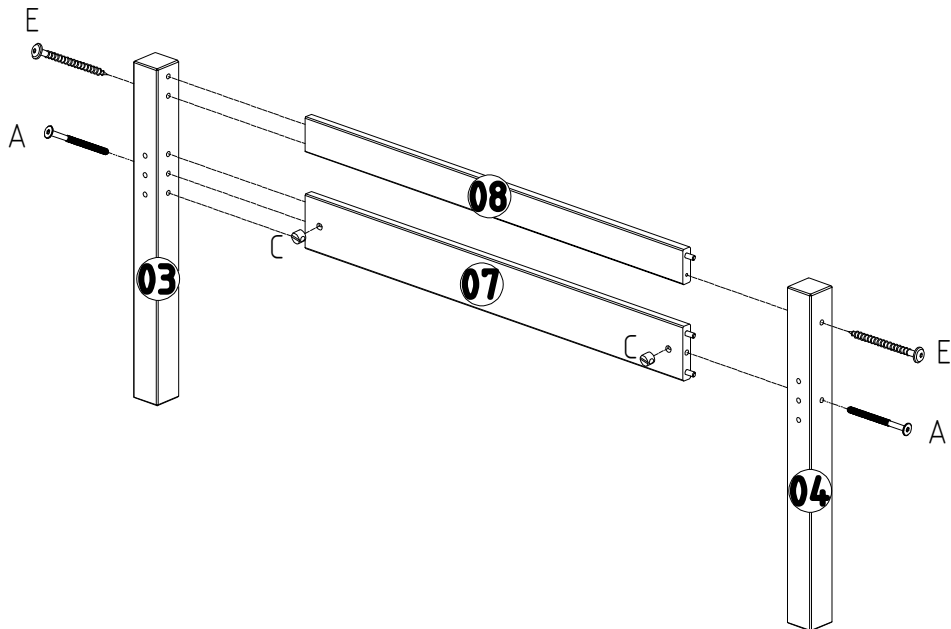
D	 Ø8x30mm	20
---	---	----




Step 2



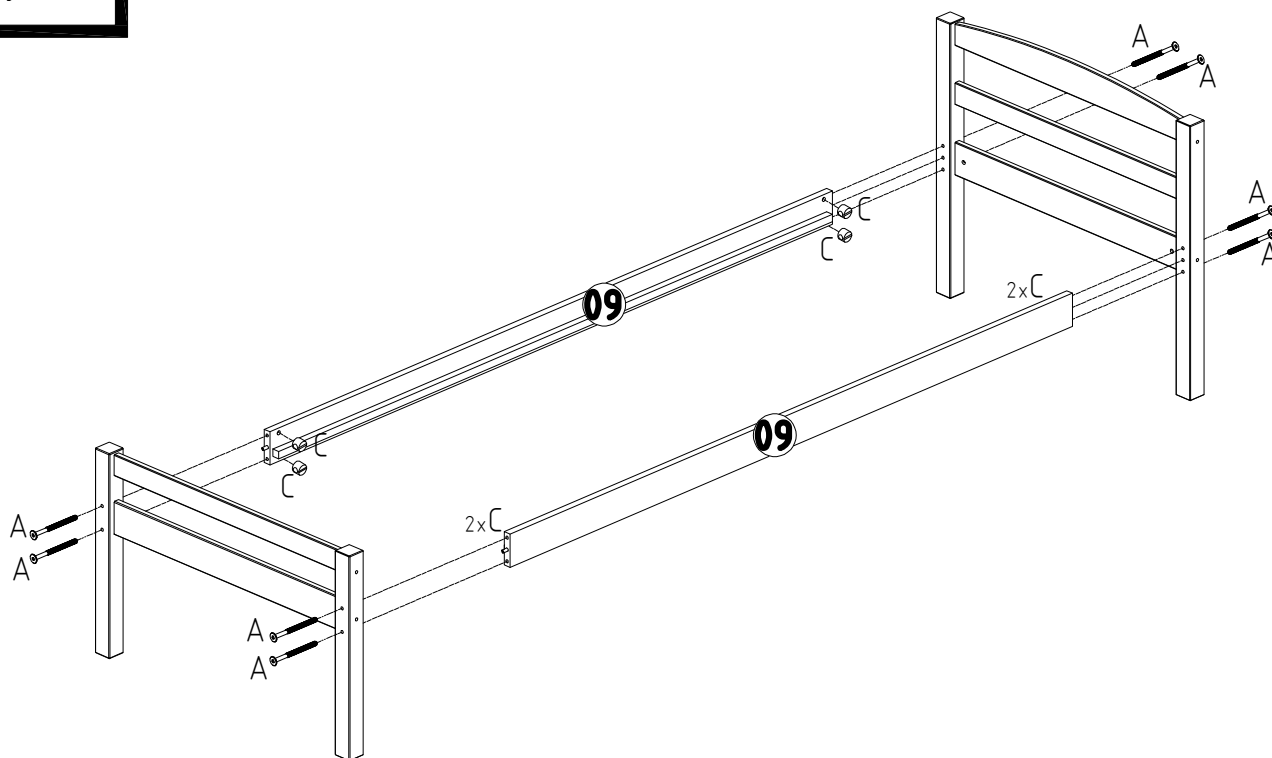
A	 M6x80mm	02
C	 M6x13mm	02
E	 Ø6x90mm	02

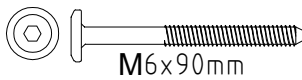

Step 3



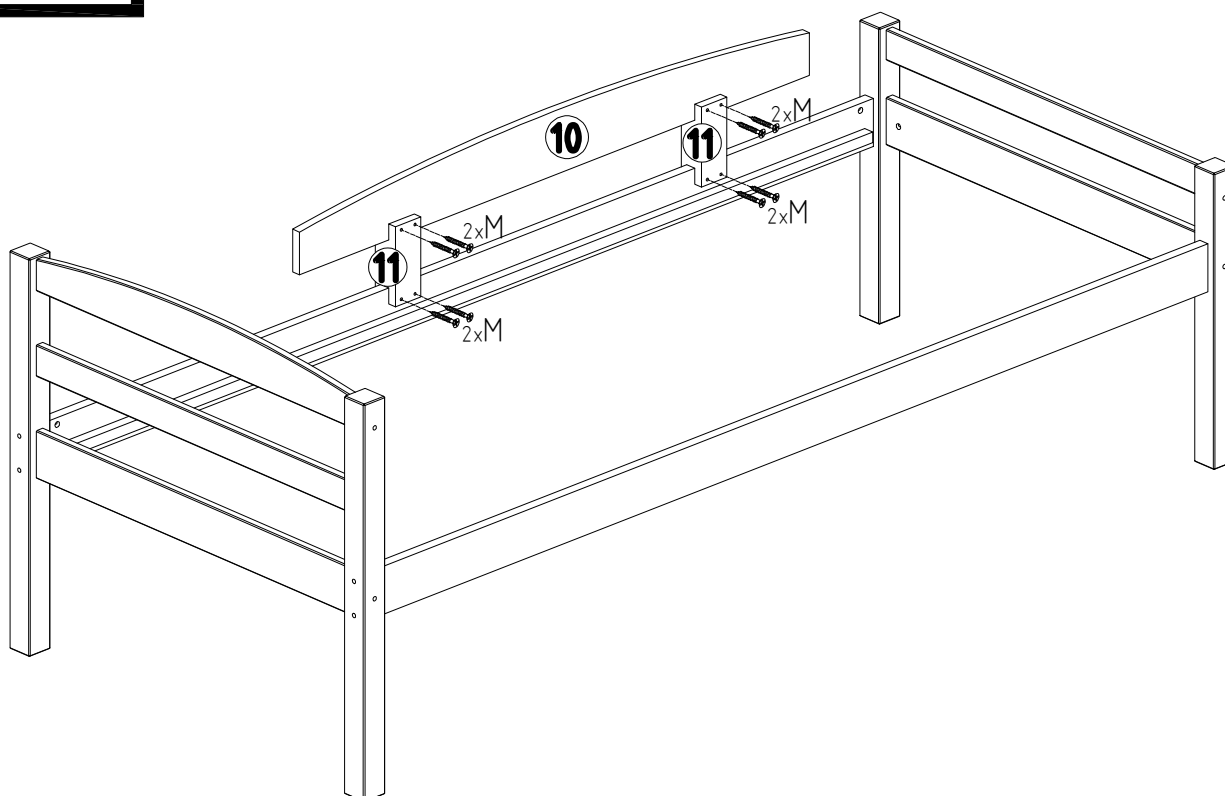
A	 M6x80mm	02
C	 M6x13mm	02
E	 Ø6x90mm	02

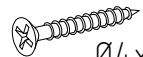
Step 4



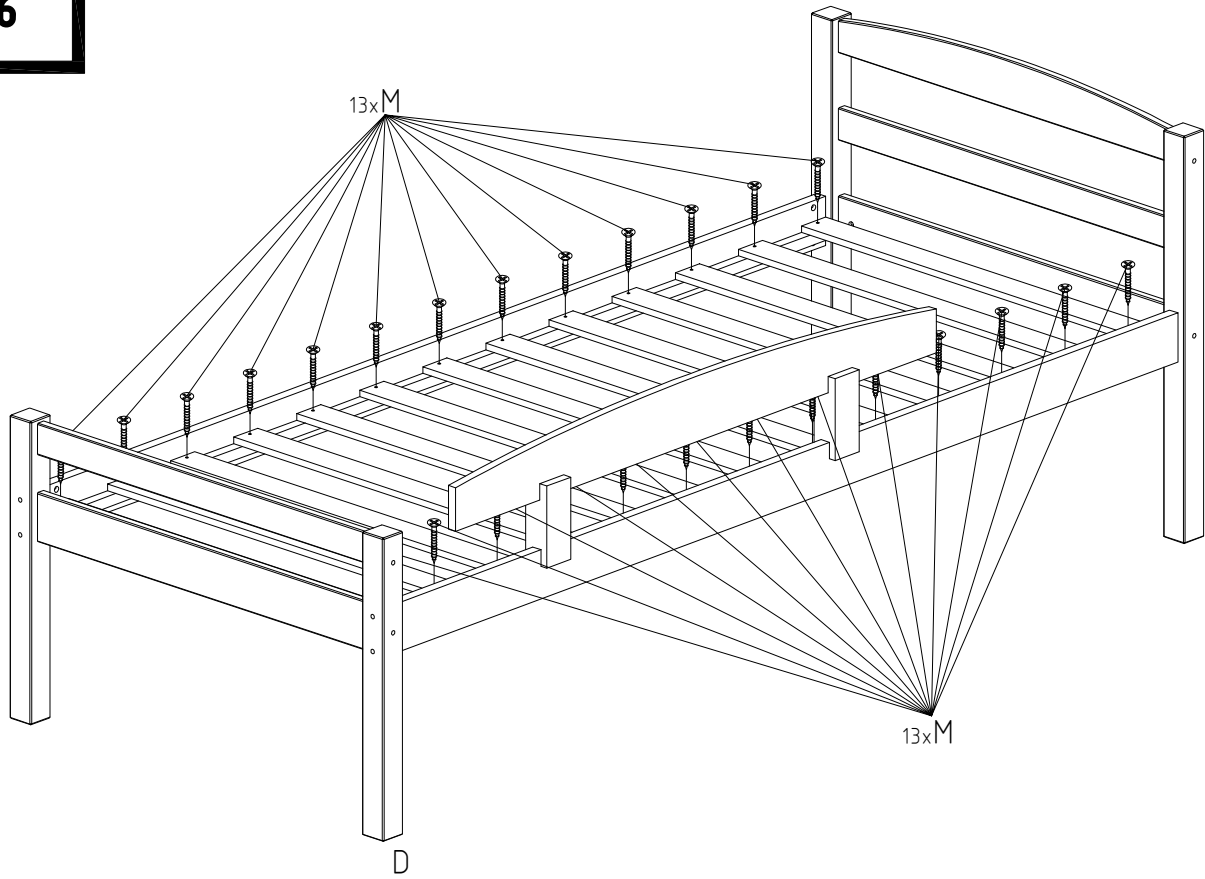
A	 M6x90mm	08
C	 M6x13mm	08


Step 5



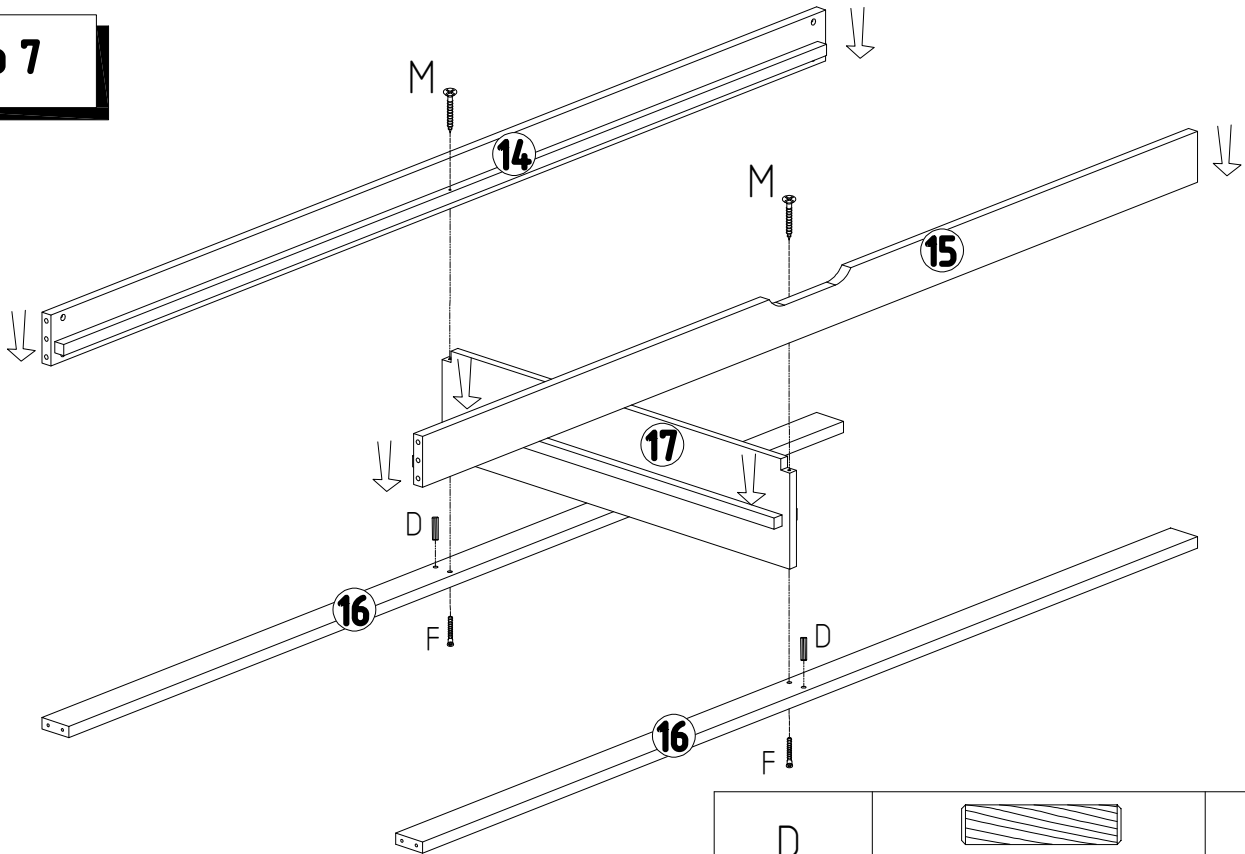
M	 Ø4x30mm	08
---	---	----


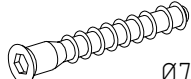

Step 6



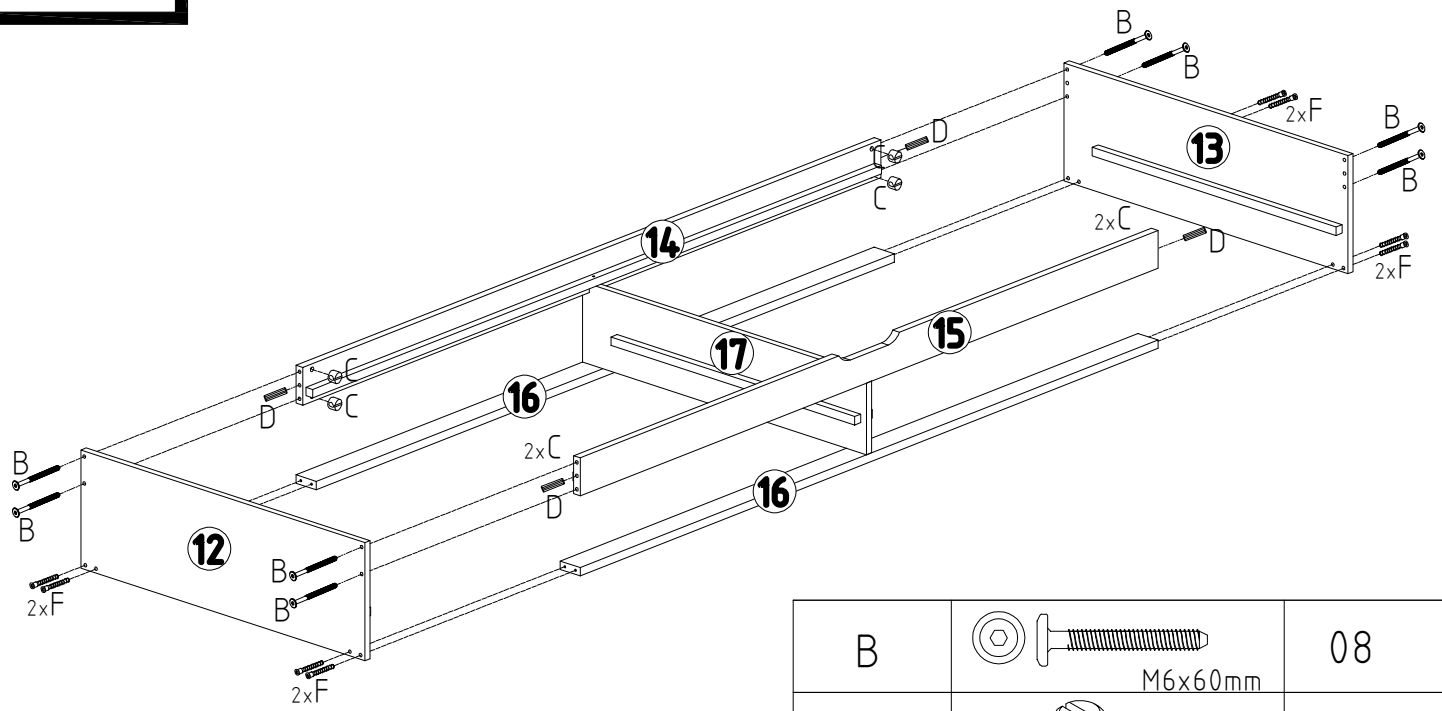
M	 Ø4x30mm	26
---	---	----

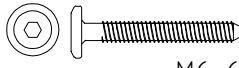


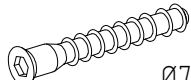
Step 7



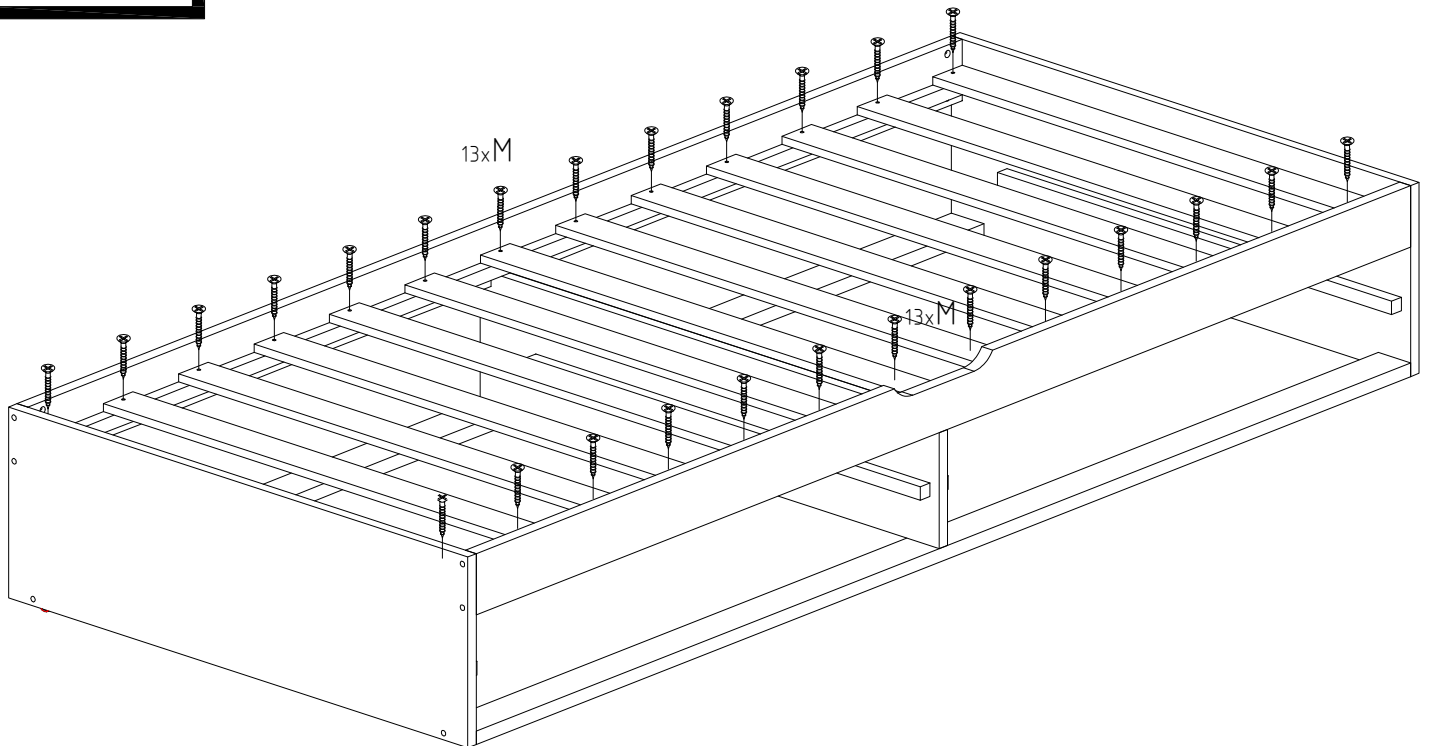
D	 Ø8x30mm	02
F	 Ø7x50mm	02
M	 Ø4x30mm	02


Step 8



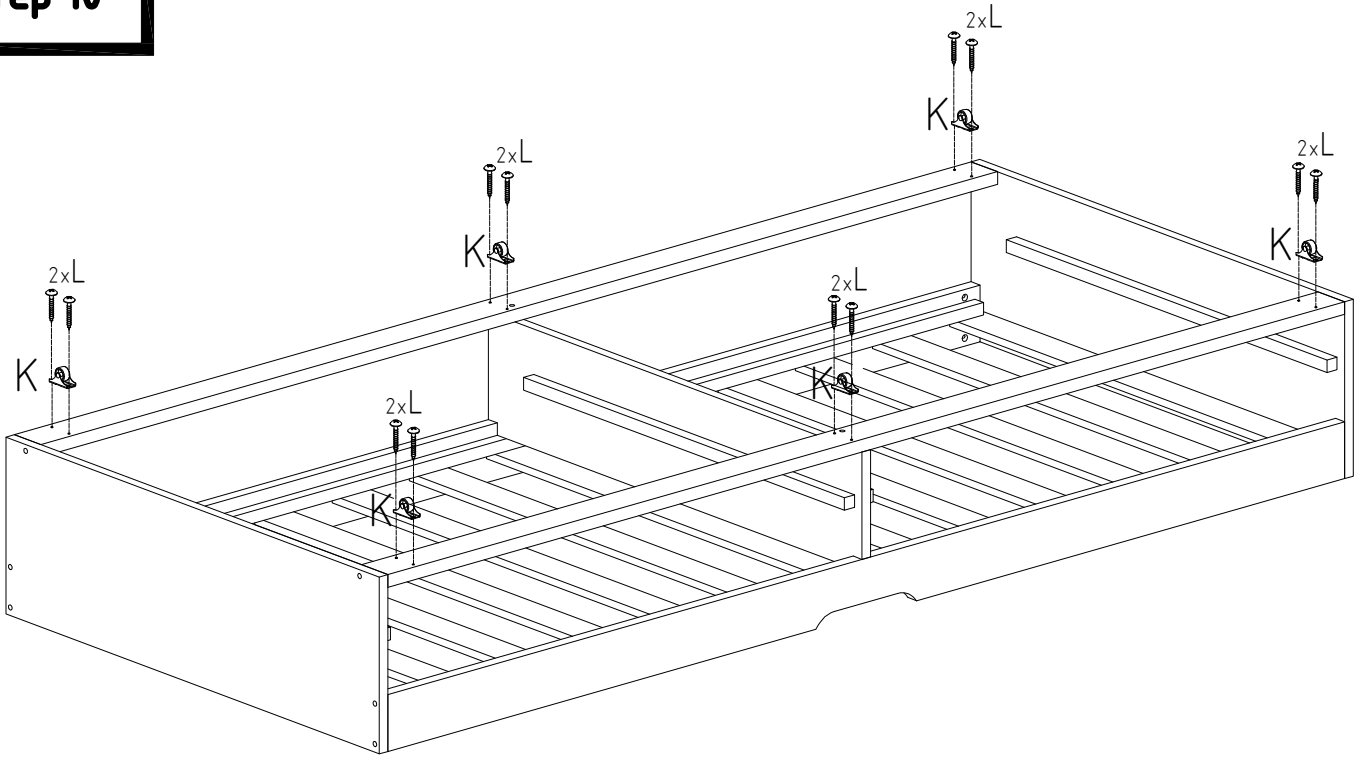
B	 M6x60mm	08
C	 M6x13mm	08
D	 Ø8x30mm	04
F	 Ø7x50mm	08



Step 9



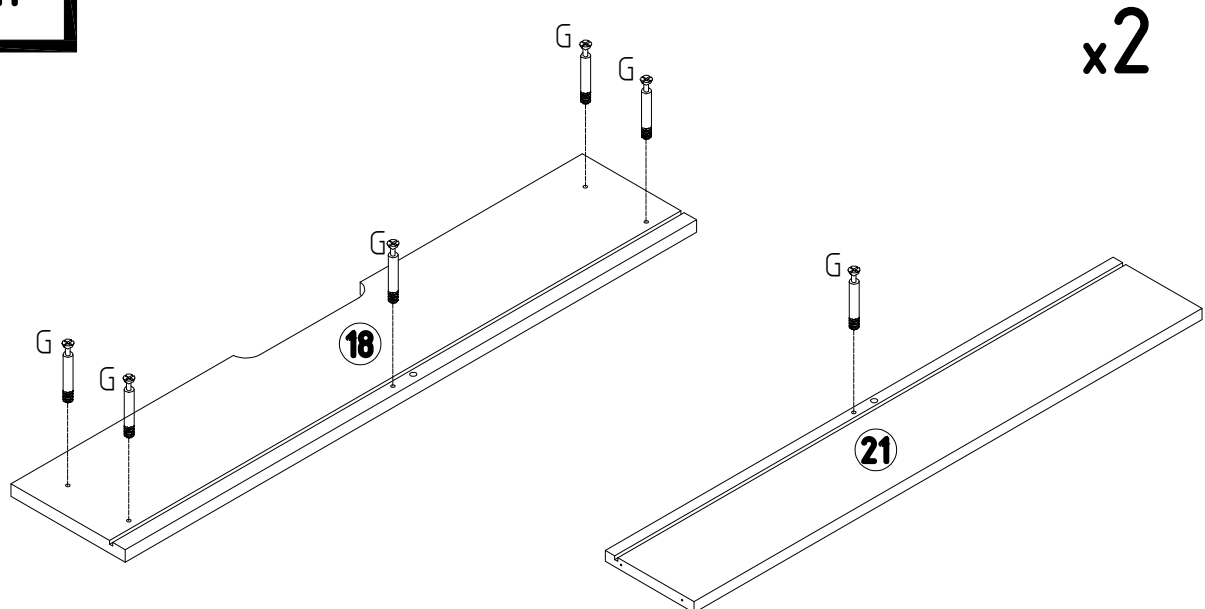
M	 Ø4x30mm	26
---	--	----

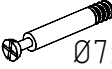
Step 10



K	 D26mm	06
L	 $\phi 3.5 \times 16 \text{mm}$	12

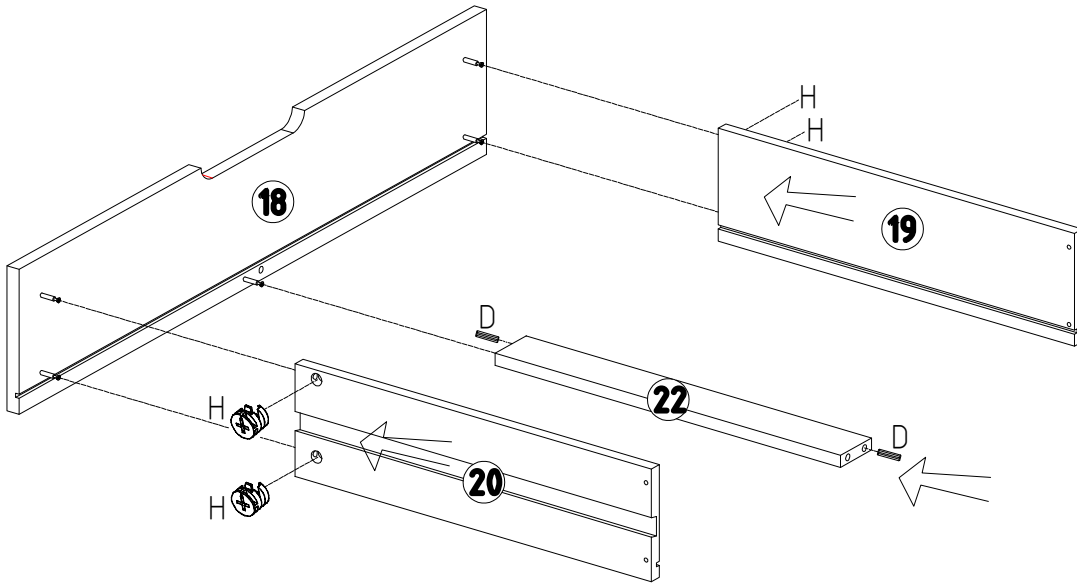
Step 11

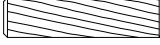



G	 $\phi 7 \times 34 \text{mm}$	12
---	--	----

Step 12

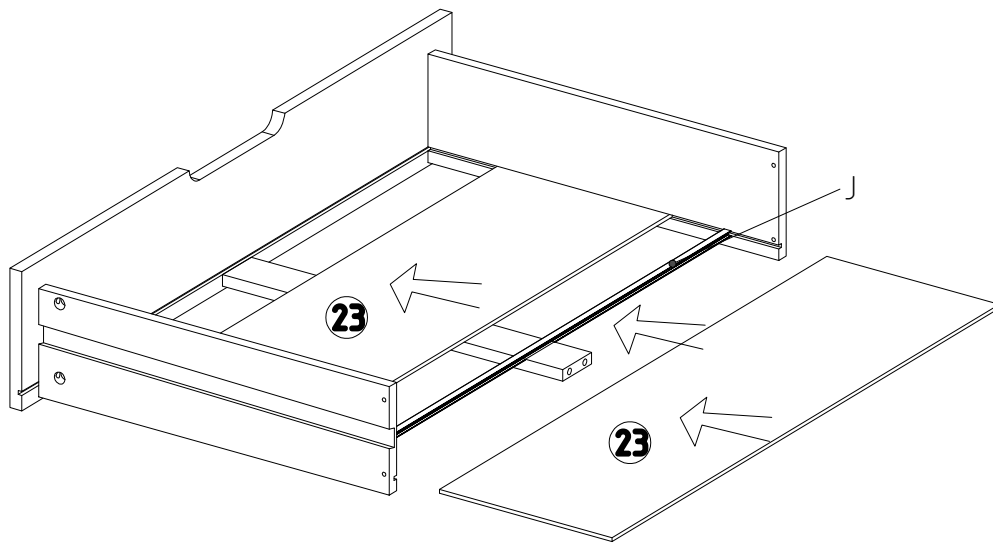
x2

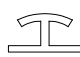


D	 Ø8x30mm	04
H	 Ø15x12mm	08

Step 13

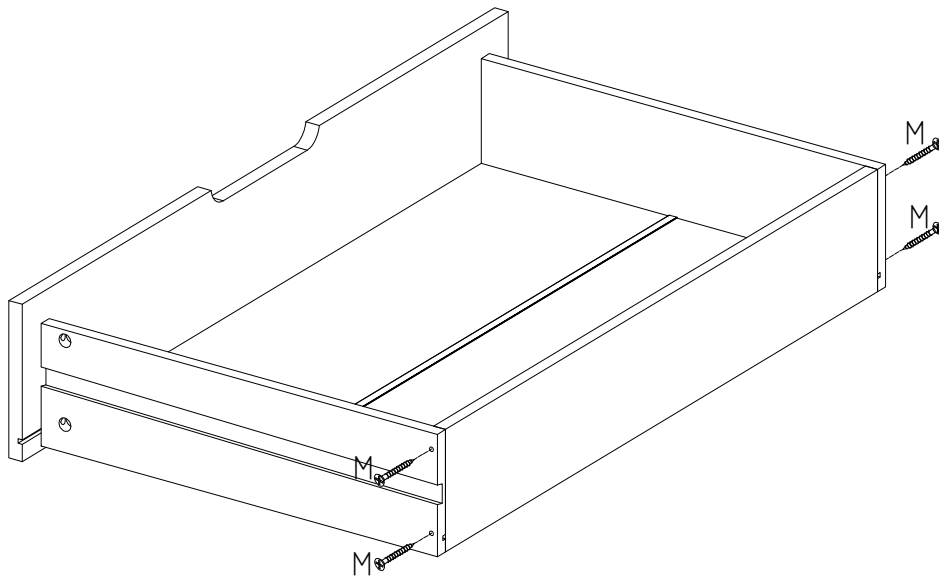
x2



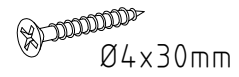
J	 797mm	02
---	--	----

Step 14

x2



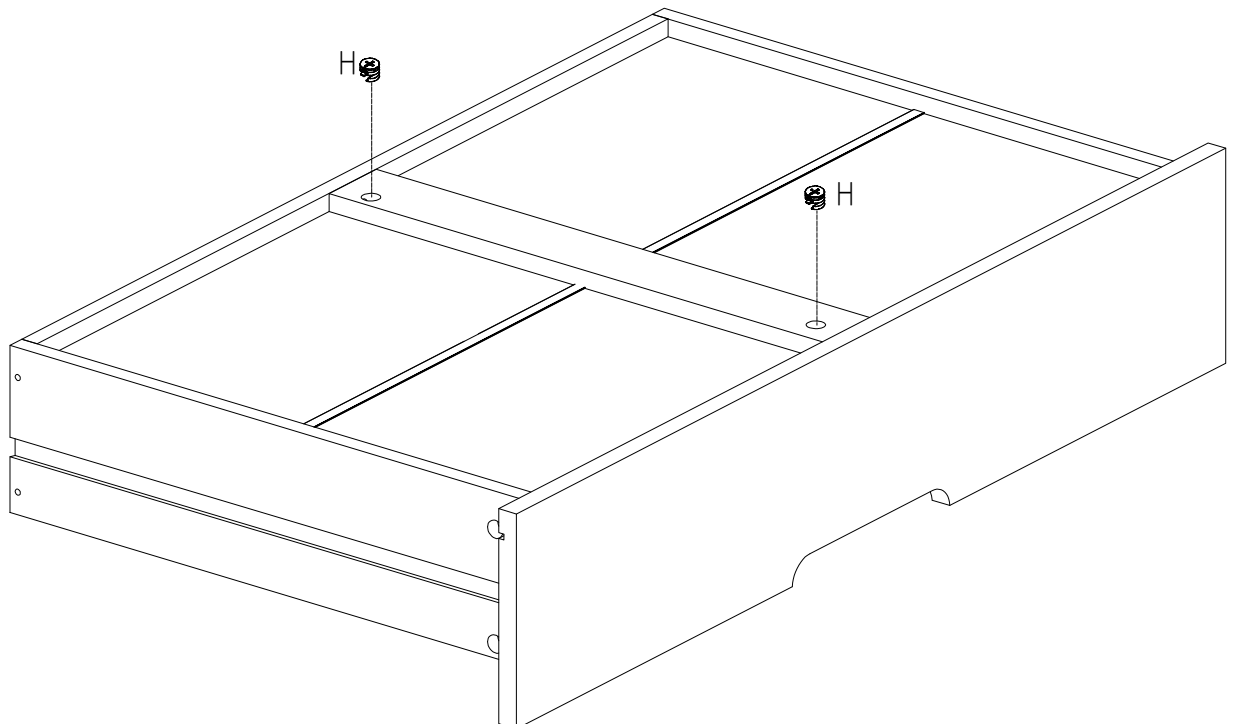
M



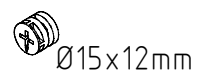
08

Step 15

x2

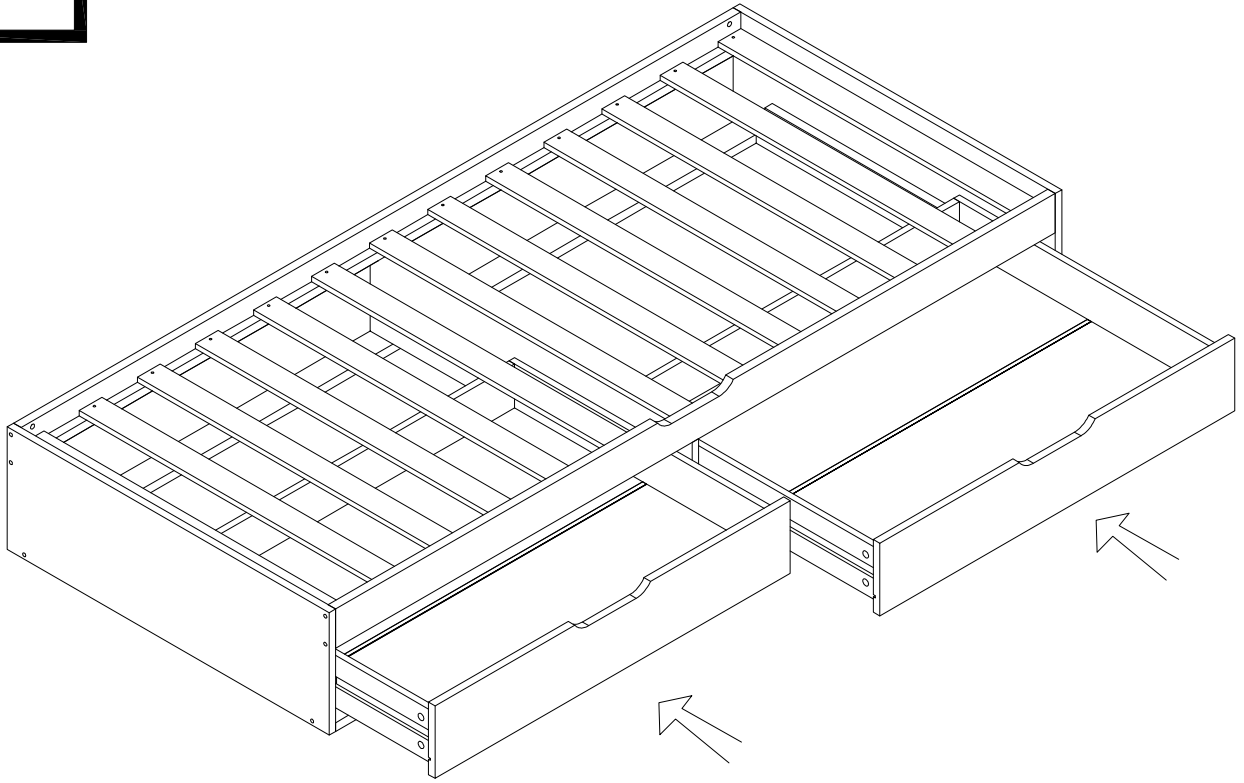


H



04

Step 16



Step 17

